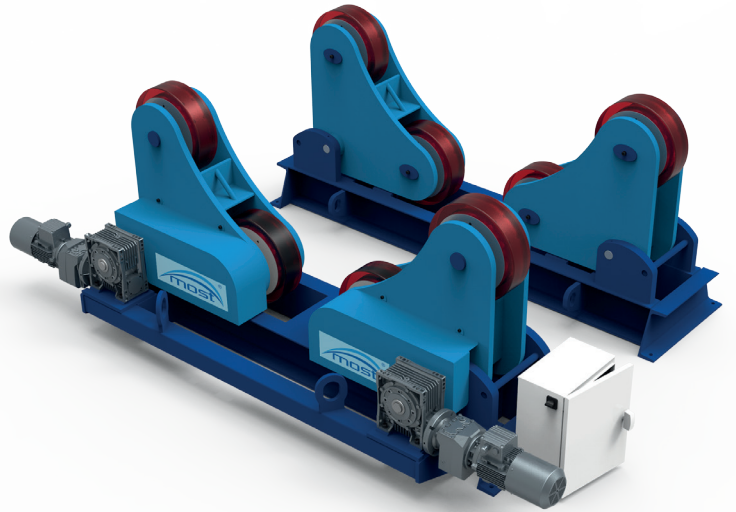


Self-align rotator MOST MSR



Turning rolls are designed to support tanks, large diameter pipes and any other type of cylindrical objects. These units provide a wide array of compatible work-pieces and precise adjustments as needed, what reduce preparation time and allow the operator to manipulate work-pieces to the optimal position.

Self-align rotators series MOST MSR are perfect solution for the manipulation of thin-walled work-pieces, heavy and difficult objects. These units enable equal loading, constant rotation speed and quick adjustment to accommodate a wide range of work-piece diameters (no other adjustments required). Capacities range from 5 to 200 tons and 250-7000 mm diameter range.

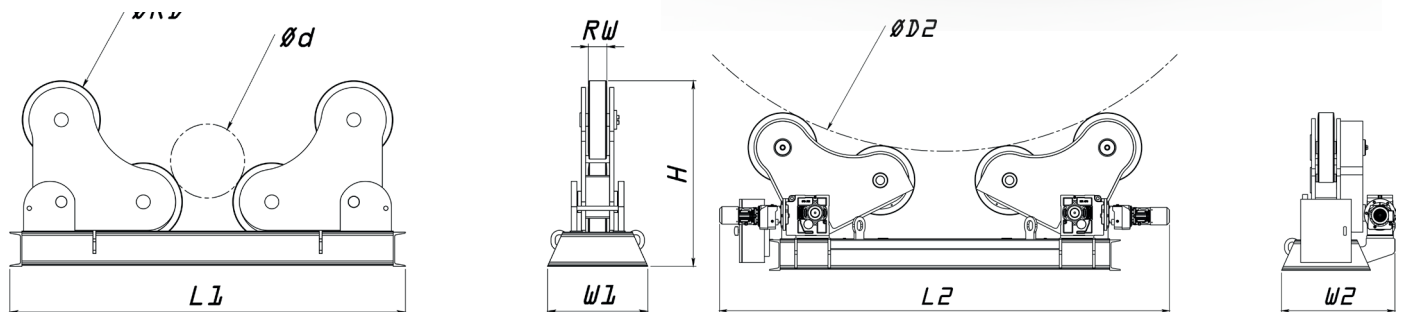
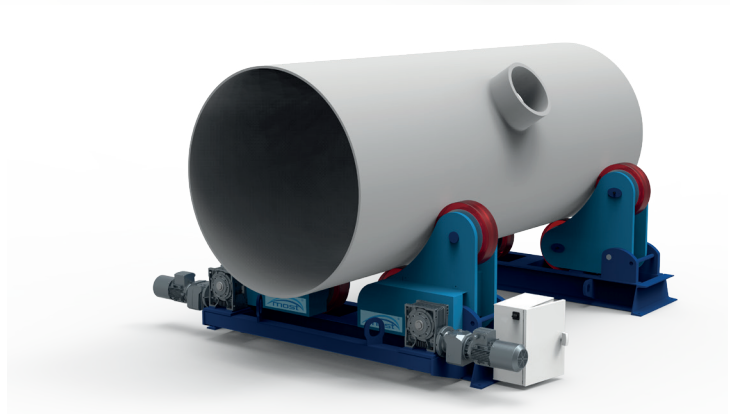


Standard features:

- Automatic diameter adjustments,
- adjustable rotation speed,
- remote controller with 5 meter cable,
- digital speed indicator on the controller panel for monitoring rotation,
- polyurethane wheels absorbing shocks and vibrations,
- motors with brake and forced fan cooling.

Optional features:

- Axial movement on rail (automatic/manual),
- hydraulic fit-up,
- special insulation for worksite conditions,
- custom wheel design for areas that require high temperature



Model	Data capacity [t]	Load capacity [t]	Rotation speed [mm/min]	Min. diameter [mm]	Max. diameter [mm]	Roller diam. [mm]	Roller width [mm]	Roller material	Overall length - idler [mm]	Overall width - drive [mm]	Overall length - idler [mm]	Overall length - drive [mm]	Height over roller [mm]	Motor power [kW]	Weight [kg]
				d	D2	RD	RW		L1	W1	L2	W2			
MSR-3	3	1,5		250	2200	220	75	polyurethane	1180	465	1480	530	505	1 x 0,37	400
MSR-5	5	2,5	125-1250	250	3000	250	75	polyurethane	1180	465	1480	530	515	1 x 0,37	400
MSR-10	10	5	125-1250	450	3000	350	100	polyurethane	2000	550	2600	730	930	2 x 0,37	1700
MSR-20	20	10	125-1250	450	4600	375	125	polyurethane	2020	660	2685	785	950	2 x 0,37	1900
MSR-30	30	15	125-1250	450	4600	440	125	polyurethane	2100	670	3100	900	1010	2 x 0,55	2700
MSR-40	40	20	125-1250	520	5200	440	125	polyurethane	2120	680	3200	900	1050	2 x 0,75	2900
MSR-50	50	25	125-1250	520	5200	440	150	polyurethane	2120	705	3200	925	1050	2 x 1,1	3200
MSR-60	60	30	125-1250	520	5200	550	130	polyurethane	2780	705	3750	1000	1310	2 x 1,1	4000
MSR-80	80	40	125-1250	520	5500	550	175	polyurethane	2780	850	3750	1200	1310	2 x 1,1	5000
MSR-100	100	50	125-1250	600	6000	550	260	polyurethane	2900	900	4400	1250	1350	2 x 1,5	6250
MSR-150	150	75	125-1250	600	6000	550	310	Steel	3020	1200	4500	1650	1385	2 x 3	7450
MSR-200	200	100	125-1250	1000	7000	650	360	Steel	3300	1250	4850	1700	1415	2 x 4	9100