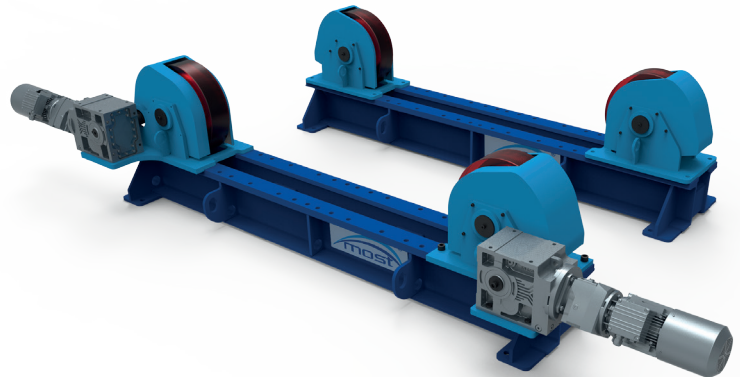


# Conventional rotator MOST MCR



Turning rolls are designed to support tanks, large diameter pipes and any other type of cylindrical objects. These units provide a wide array of compatible work-pieces and precision adjustments as needed, what reduce preparation time and allow the operator to manipulate work-pieces to the optimal position. Conventional turning rolls series MOST MCR offer basic manipulators for wide variety of cylindrical objects. Capacities range from 5 to 300 tons and 250-8000 mm diameter range

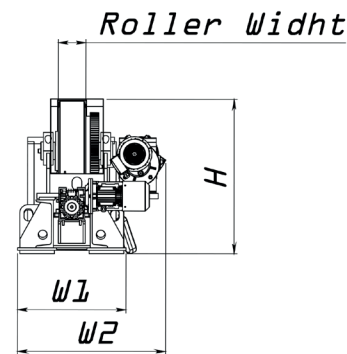
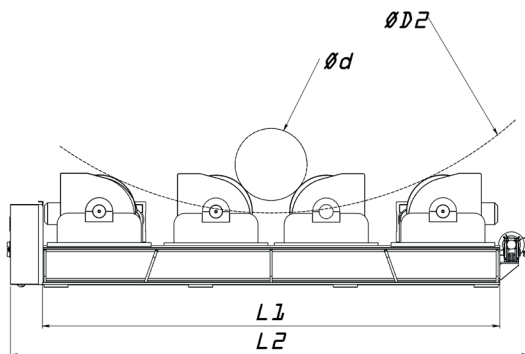
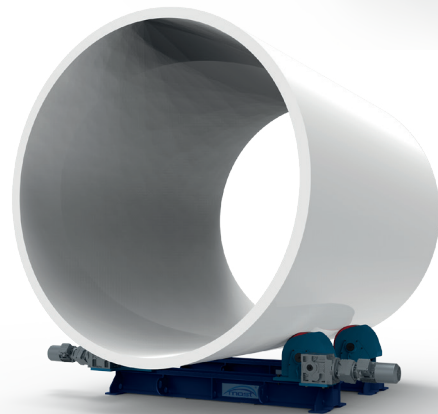


### Standard features:

- regulated rotation speed,
- remote controller with 5 meter cable,
- digital speed indicator on the controller panel for monitoring rotation,
- manual adjustment of diameter,
- polyurethane wheels absorbing shocks and vibrations,
- motors with brake and forced fan cooling.

### Optional features:

- Automatic diameter/wheel axis adjustments (with ballscrew) ,
- Axial movement on rail (automatic/manual),
- hydraulic fit-up,
- special insulation for worksite conditions,
- custom wheel design for areas that require high temperature.



Model	Data capacity [t]	Load capacity [t]	Rotation speed [mm/min]	Min. diameter [mm]	Max. diameter [mm]	Roller diam. [mm]	Roller width [mm]	Roller material	Overall length - idler [mm]	Overall width - drive [mm]	Overall length - idler [mm]	Overall width - idler [mm]	Height over roller [mm]	Motor power [kW]	Weight [kg]
				d	D2	RD	RW		L1	W1	L2	W2			
MCR-5	5	2,5	125-1250	250	3000	360	100	polyurethane	1900	465	2220	540	535	1 x 0,37	650
MCR-10	10	5	125-1250	250	3000	360	100	polyurethane	1990	465	3100	560	560	2 x 0,25	850
MCR-20	20	10	125-1250	450	4600	450	125	polyurethane	2860	500	3100	660	700	2 x 0,37	1600
MCR-30	30	15	125-1250	450	5200	450	150	polyurethane	2860	500	2860	660	710	2 x 0,55	2100
MCR-40	40	20	125-1250	520	5200	550	175	polyurethane	3300	700	4500	855	850	2 x 0,75	2600
MCR-50	50	25	125-1250	520	5200	550	200	polyurethane	3300	700	4500	880	850	2 x 1,1	3100
MCR-60	60	30	125-1250	520	5200	550	230	polyurethane	3300	730	4500	910	850	2 x 1,1	3400
MCR-80	80	40	125-1250	520	5500	550	360	polyurethane	3300	860	4500	1050	850	2 x 1,1	4000
MCR-100	100	50	125-1250	600	6000	550	400	polyurethane	3300	920	4900	1200	850	2 x 1,5	4800
MCR-150	150	75	125-1250	600	6000	550	450	Steel	3600	1020	5150	1300	980	2 x 3	6100
MCR-200	200	100	125-1250	600	7000	650	480	Steel	4700	1020	5500	1300	1130	2 x 4	7000
MCR-300	300	150	125-1250	800	8000	750	520	Steel	5000	1100	6000	1500	1280	2 x 7,5	8500